



**SANITARY
SYSTEMS**

TRUST MULTIKWIK





HOTELS



OFFICES

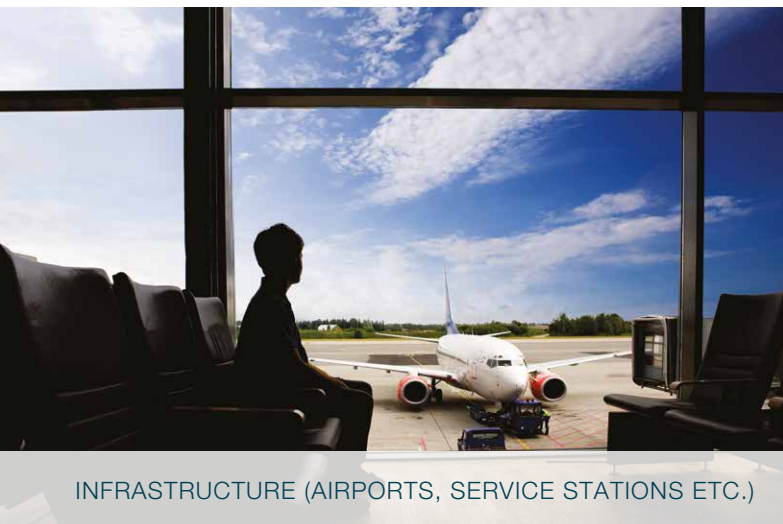
SYSTEMS IDEAL FOR YOUR PROJECT



HOSPITALS & CARE HOMES



SCHOOLS



INFRASTRUCTURE (AIRPORTS, SERVICE STATIONS ETC.)



RESIDENTIAL



SANITARY SYSTEMS

STRENGTH YOU CAN **TRUST**

The Multikwik sanitary system includes sanitary frames, concealed cisterns, flush valves and a selection of flush plates – all the hidden things that offer reliability when designing modern washrooms.

Wall hung toilets, urinals and basins have many benefits over the traditional close coupled WCs and pedestal basins, including easier cleaning and maintenance, hiding unsightly pipework and providing a contemporary, sleek bathroom finish.

For versatility and reliability in modern bathroom design, trust the wide Multikwik sanitary systems range.

WHY CHOOSE MULTIKWIK?

MULTIKWIK SANITARY FRAMES

Multikwik sanitary frames are the backbone of professional plumbing, supporting the wall hung chinaware, concealing unsightly pipework and allowing for easier cleaning and maintenance. The range includes 820, 985 and 1185mm frames for various bathroom applications, WCs and fittings for special needs. This enables bathroom designs for any customer requirement.

STRENGTH

Multikwik sanitary frames will support loads in excess of 400kg (63st) and are designed for a 25 year lifespan.

WATER CONSERVATION

The dual flush capability offers a choice of 6 or 3 litre flushes.

AESTHETICS

The very nature of the concealed frames allows for clean design lines by concealing unsightly pipework, taking up no more space than a traditional installation.

EASY TO CLEAN

With the sanitary ware suspended from the frame, cleaning is far easier, faster and more effective, a key requirement for Facility Managers.

EASY TO MAINTAIN

Any necessary maintenance can be achieved through the flush actuation plate access, avoiding the need for expensive, obtrusive access panels.

PRODUCT RANGE

With a choice of 820, 985 & 1185mm height options for different applications, the frames can be used under a window, under a vanity shelf or at full height. Also available are frames adapted for special needs requirements. In addition Multikwik offers a compact float system, ideal for multiple pans in commercial applications.

VERSATILE

The full range of interchangeable Multikwik flush actuation plates can be used with any frame and are available as surface or recess mounted.



CONTENTS

Sanitary Frames	6	Concealed Cisterns	18	Spares and Components	25
Flush Plates	12	WC Seats	22	Installation Guide	29

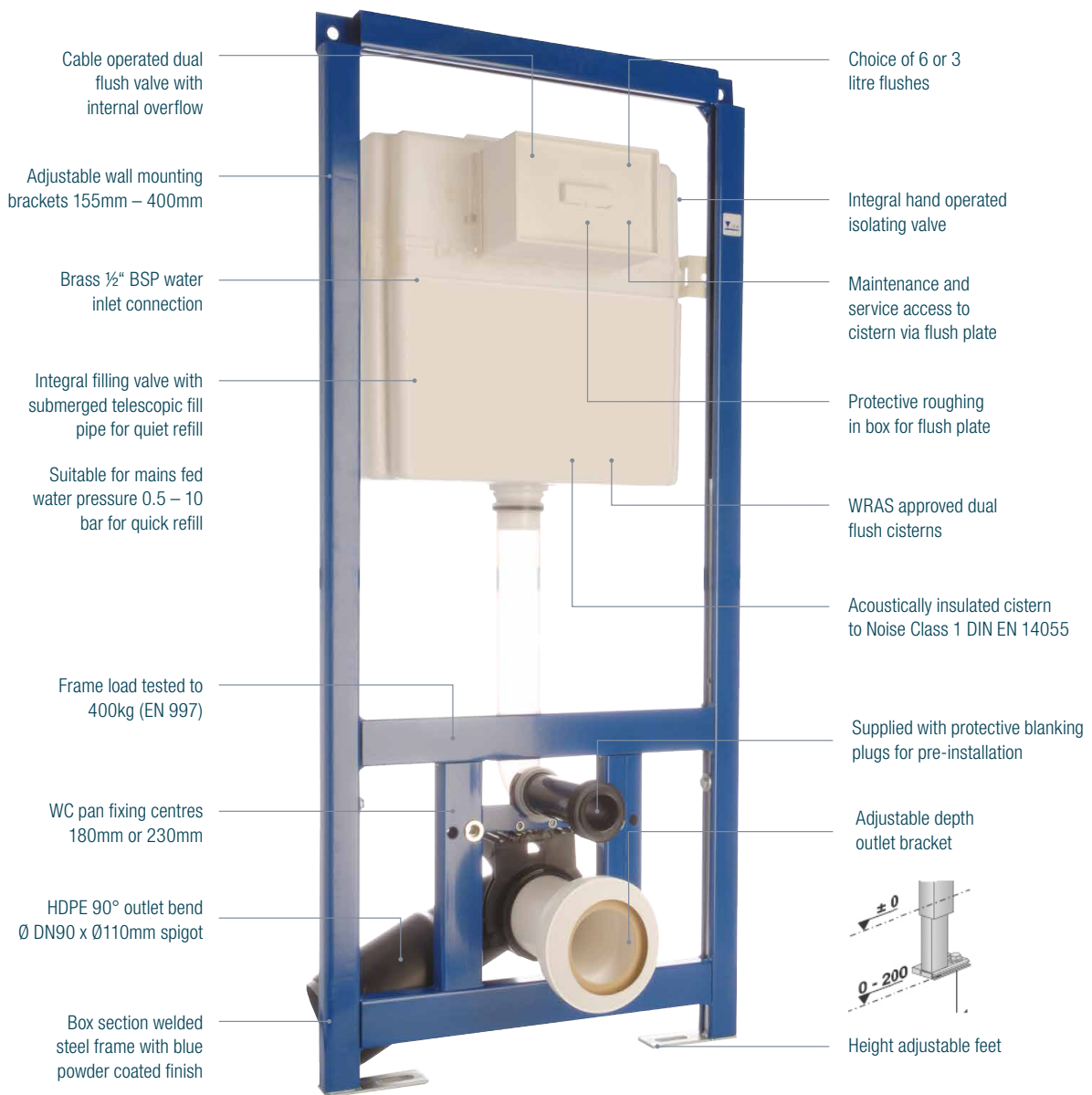
The range of Multikwik concealed frames and cisterns allows for a greater degree of versatility when designing the modern bathroom. Wall hung toilets and basins have many benefits over the traditional close coupled WCs and pedestal basins.



MULTIKWIK SANITARY FRAMES

A Multikwik frame consists of many quality components to ensure reliability and long life expectancy, as detailed below:

- Universally applicable individual frames for drywall construction
- Fast and simple installation by just one person
- Can be combined with nearly any lightweight construction system or studs.



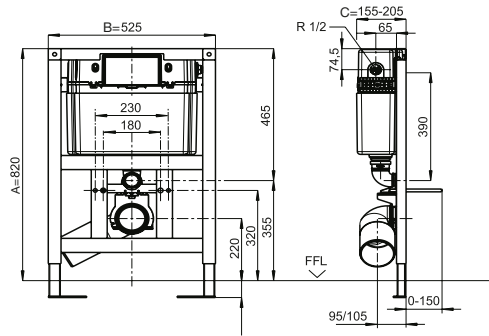
Installation frame supplied pre-assembled in protective cardboard box with integral carry handles

Multikwik pan connector and flush pipe included



Frame supplied with fixing set for wall hung WC pan including studs, washers, nuts and chrome cover caps



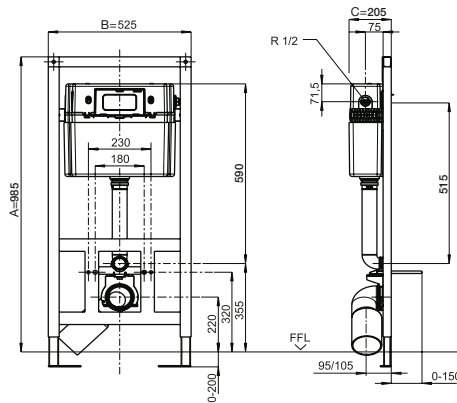


WC FRAME

TRM1820



- Frame height 820mm
- Cistern access front or top
- For use below standard window sill

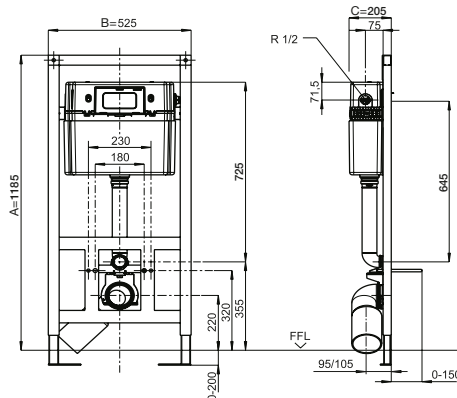


WC FRAME

TRM1985



- Frame height 985mm
- Cistern access front or top
- Use to form 1m high shelf



WC FRAME

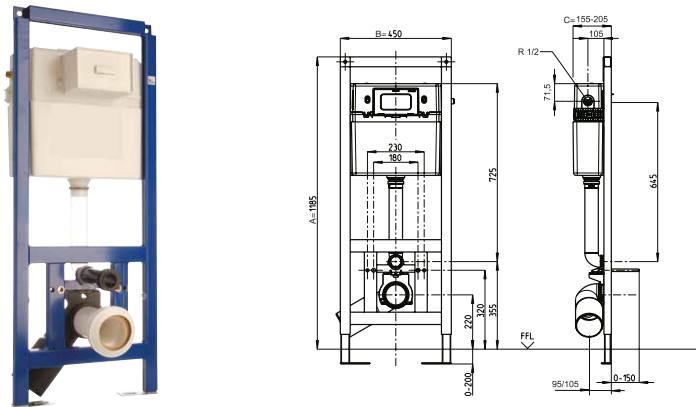
TRM1200



- Frame height 1185mm
- Cistern access front only
- For room height duct installations

When selecting ceramic WC pans to accompany the Multikwik WC frames, please check that the WC pan fixing centres are either 180mm or 230mm (to match the support bolt centres) and that the pan can accept dual flush volumes of 6 and 3 litres. Full product specifications and installation instructions are available online.

SPECIAL NEEDS FRAME



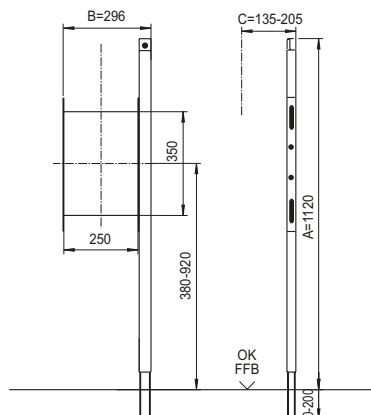
TRM1201



- Frame height 1185mm
- Cistern access front only
- For special needs raised height WC pan

SUPPORT PANEL FRAME FOR SPECIAL NEEDS

TRM6001 (LEFT) TRM6002 (RIGHT)

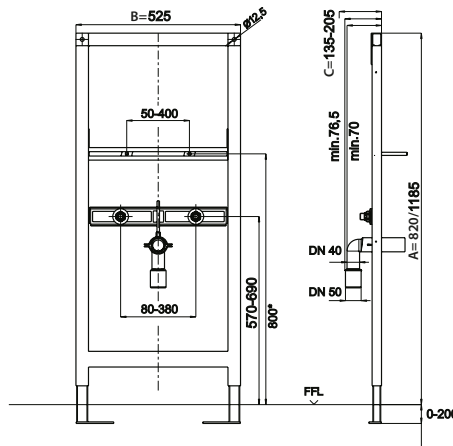


- Frame height 1120mm
- TRA4004 wall fixing brackets needed
- For use with TRM1201 special needs WC frame
- Plywood panel for fixing hinged grab bar
- For room height duct installations

WASHBASIN FRAME

TRM2820

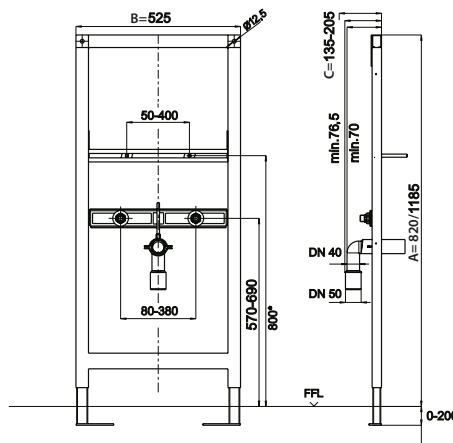
- Frame height 820mm
- Supplied with 90° outlet bend DN50 x DN40
- For use below standard window sill
- Adjustable wall mounting brackets 135mm – 400mm
- Wash hand basin fixing centres 50mm – 400mm
- Supplied with 90° outlet bend Ø DN50 x ØDN40
- Unfinished floor depth 0-200mm



WASHBASIN FRAME

TRM2985

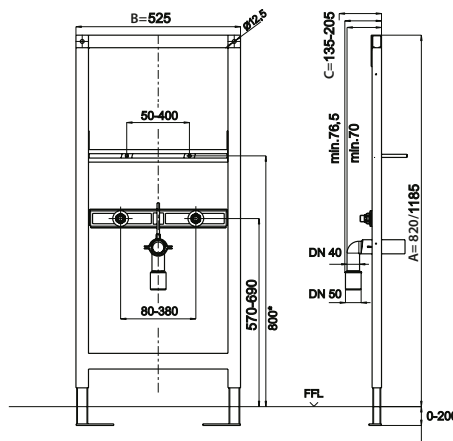
- Frame height 985mm
- Supplied with 90° outlet bend DN50 x DN40
- Use to form 1m high shelf
- Adjustable wall mounting brackets 135mm – 400mm
- Wash hand basin fixing centres 50mm – 400mm
- Supplied with 90° outlet bend Ø DN50 x ØDN40
- Unfinished floor depth 0-200mm



WASHBASIN FRAME

TRM2000

- Frame height 1185mm
- Supplied with 90° outlet bend DN50 x DN40
- For room height duct installations
- Adjustable wall mounting brackets 135mm – 400mm
- Wash hand basin fixing centres 50mm – 400mm
- Supplied with 90° outlet bend Ø DN50 x ØDN40
- Unfinished floor depth 0-200mm







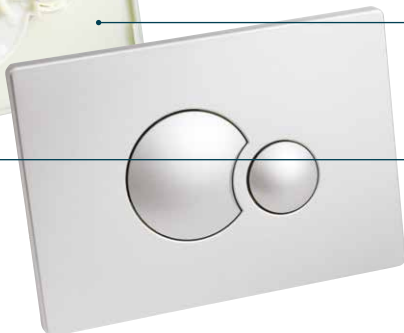
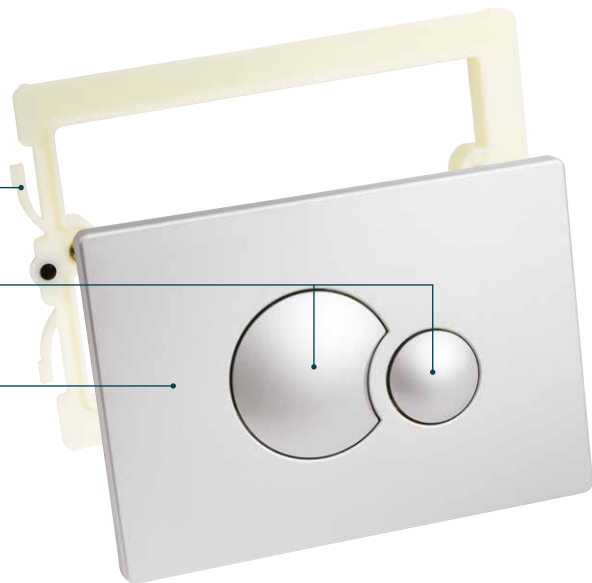
MULTIKWIK FLUSH PLATES

The Multikwik range of flush actuation include high quality glass, as well as more traditional white and chrome finishes plates to suit all styles of bathrooms and washroom designs. All flush plates are dual flush, and offer the choice of 6 or 3 litre flushes.

Spring frame design for flush plate mounting provides fast, easy and tool-free entry to the cistern to attend to any maintenance requirements.

Dual flush amenity of 6 or 3 litres, saving money and the environment.

A choice of designs and finishes offering solutions for a variety of applications.



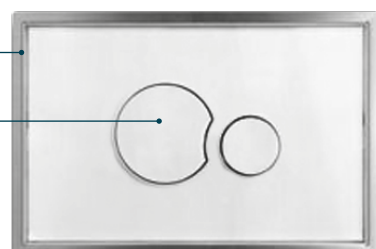
Made using robust and high quality components in well engineered mechanisms to ensure a low maintenance and reliable operation.

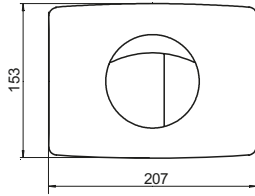
Quarter turn cable fixing function without any additional parts. Fast and easy to remove and replace, avoiding concerns or problems associated with losing or breaking components during installation or routine maintenance.

Interchangeable flush actuation plate design provides choice to upgrade, update or replace for whole life use.

1mm recessed frame provides unobtrusive design.

Colour co-ordinated or colour-matched buttons provide design choice.

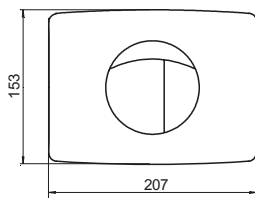




SOLAR FLUSH PLATE

TRF0427S

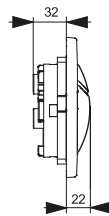
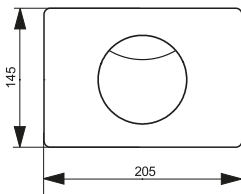
- Dual flush push plate
- Finish: Polished chrome
- Material: Plastic
- Surface mounted



SOLAR FLUSH PLATE

TRF0428S

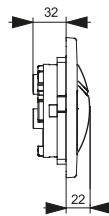
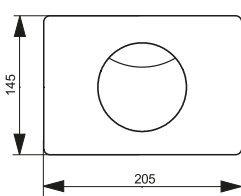
- Dual flush push plate
- Finish: Satin chrome
- Material: Plastic
- Surface mounted



CRESCENT FLUSH PLATE

TRF0427C

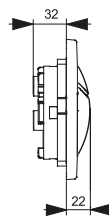
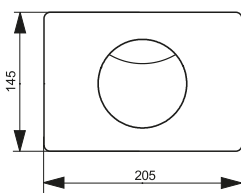
- Dual flush push plate
- Finish: Polished chrome
- Material: Plastic
- Surface mounted



CRESCENT FLUSH PLATE

TRF0433C

- Dual flush push plate
- Finish: Brushed stainless steel
- Material: Metal
- Surface mounted
- Includes concealed grub screw fixing
- For public / anti-vandal applications



CRESCENT FLUSH PLATE

TRF0400C

- Dual flush push plate
- Finish: White
- Material: Plastic
- Surface mounted

ECLIPSE FLUSH PLATE

TRF0427E

- Dual flush push plate
- Finish: Polished chrome
- Material: Plastic
- Surface mounted

ECLIPSE FLUSH PLATE

TRF0428E

- Dual flush push plate
- Finish: Satin chrome
- Material: Plastic
- Surface mounted

ECLIPSE FLUSH PLATE

TRF0400E

- Dual flush push plate
- Finish: White
- Material: Plastic
- Surface mounted

ECLIPSE FLUSH PLATE

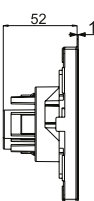
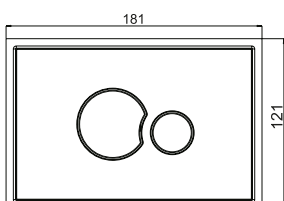
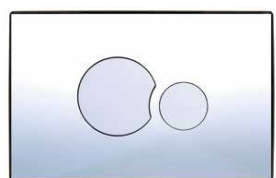
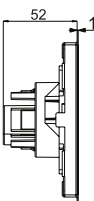
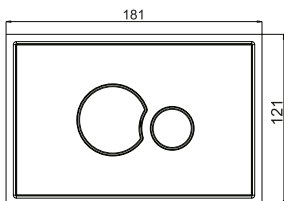
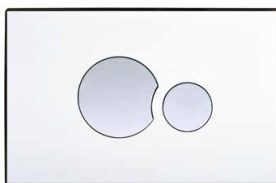
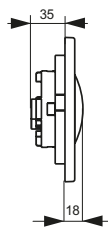
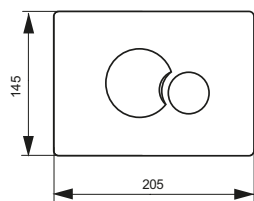
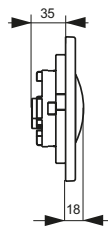
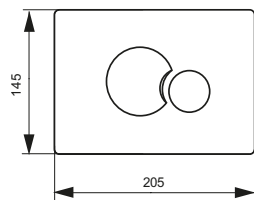
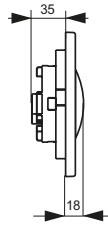
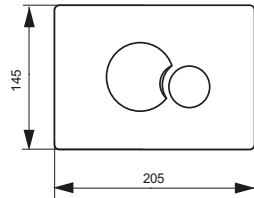
TRF1201E

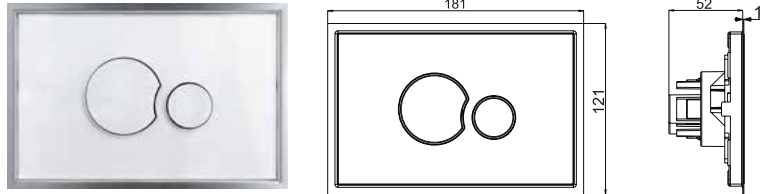
- Dual flush push plate
- Finish: White
- Material: Plastic
- Polished stainless steel frame
- Recessed mounted

ECLIPSE FLUSH PLATE

TRF1202E

- Dual flush push plate
- Finish: Chrome
- Material: Plastic
- Polished stainless steel frame
- Recessed mounted

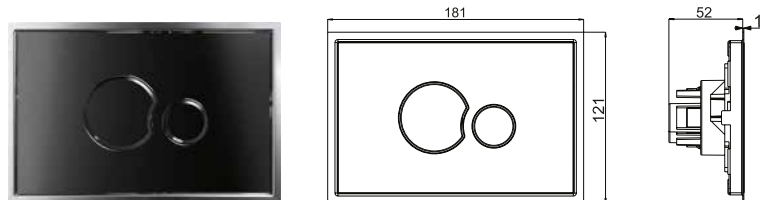




ECLIPSE FLUSH GLASS PLATE

TRF1215E

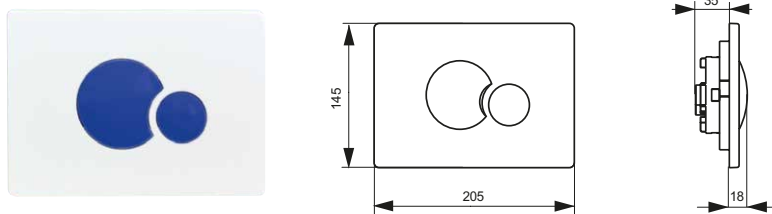
- Finish: White plate & buttons
- Material: Toughened safety glass
- Polished stainless steel frame
- Recessed mounted



ECLIPSE FLUSH GLASS PLATE

TRF1216E

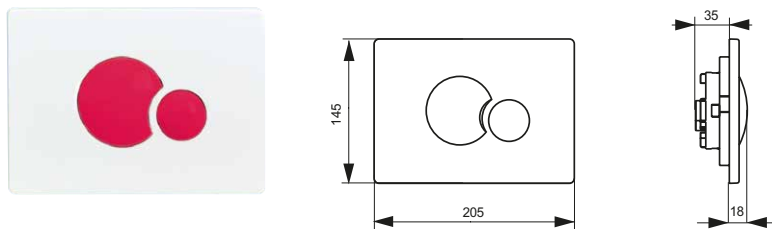
- Finish: Black plate & buttons
- Material: Toughened safety glass
- Polished stainless steel frame
- Recessed mounted



ECLIPSE FLUSH EDUCATION PLATE

TRF1223E

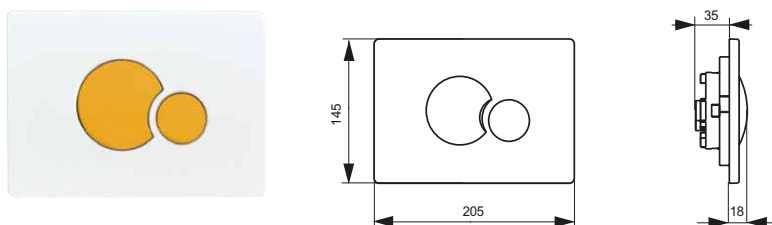
- Wall plate: white
- Push buttons: RAL 5002 Blue
- Material: plastic
- Surface mounted



ECLIPSE FLUSH EDUCATION PLATE

TRF1224E

- Wall plate: white
- Push buttons: RAL 3003 Red
- Material: plastic
- Surface mounted

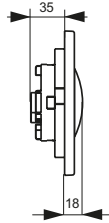
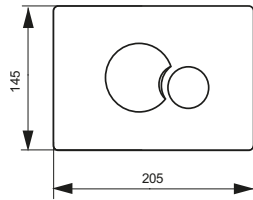
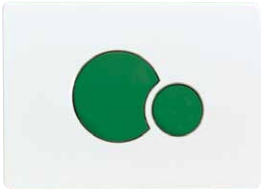


ECLIPSE FLUSH EDUCATION PLATE

TRF1225E

- Wall plate: white
- Push buttons: RAL 1023 Yellow
- Material: plastic
- Surface mounted

ECLIPSE FLUSH EDUCATION PLATE



TRF1226E

- Wall plate: white
- Push buttons: RAL 6032 Green
- Material: plastic
- Surface mounted

CABLE OPERATED DUAL FLUSH BUTTON



MFVB6B

- For use with Multiflush valves only
- Finish: Chrome
- Material: Plastic

CABLE OPERATED DUAL FLUSH BUTTON



MFVB1B

- For use with Multiflush valves only
- Finish: Chrome
- Material: Plastic

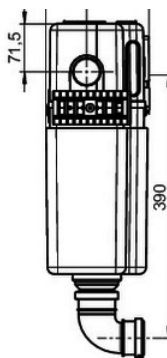
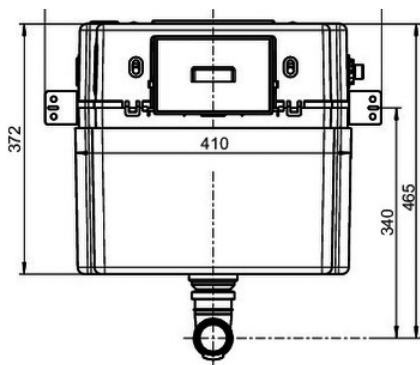




MULTIKWIK CONCEALED CISTERNS

PROTEUS CONCEALED CISTERN

The Multikwik Proteus concealed cistern is equipped with a top and side access facility and the choice of a 6/3 or 4/2 litre flush configuration, providing up to 33% water savings.



COMPACT

The Proteus cistern is just 400mm wide and engineered to offer a unique space saving solution, perfect for space restricted installations and an ideal solution for bathroom furniture.

INTELLIGENT

The WRAS approved Proteus cistern is supplied pre-set and ready for installation. Full insulation ensures a quiet acoustic performance.



TRC1830 cistern supplied with cable operated dual flush button MFVB6B in chrome/satin chrome finish

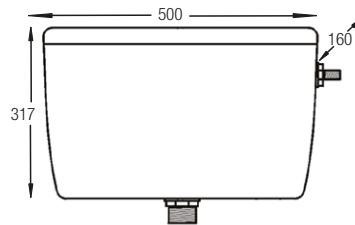


TRC1831 cistern supplied with pneumatic operated dual flush button MFVP02 in polished chrome finish



The WC furniture cabinet must have demountable panel or lid to access the concealed cistern



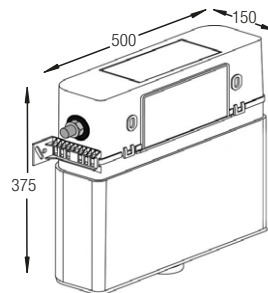


CONCEALED ECONOMY SIDE/BOTTOM FILL CISTERN

TRC1820 – SIDE FILL

TRC1821 – BOTTOM FILL

- WRAS approved cable operated Multiflush valve
- Dual flush valve 6/3L adjustable to 4/2L
- Includes chrome dual flush button MFVB6B
- Flexible cable 800mm long
- Flush bend 320mm x 320mm
- Outlet size Ø1½"
- Can be used for concealed installations



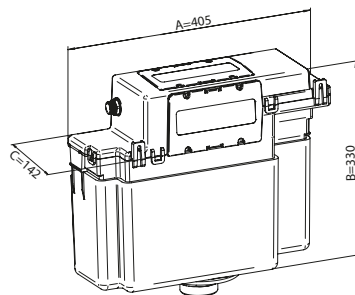
CONCEALED DUAL FLUSH CISTERN

TRV1820



- Cable operated 6/3L dual flush valve
- Integral fill valve 0.5 – 10bar water pressure
- Cistern access front or top
- Integral hand operated isolating valve
- Outlet size Ø2"
- Flush pipe 300mm L x Ø45mm
- Includes wall fixing brackets
- Includes foam insulation jacket
- Includes roughing-in box
- For concealed installation

PROTEUS CABLE CONCEALED CISTERN INCLUDING BUTTON

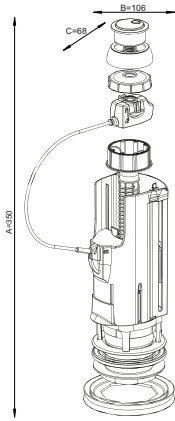


TRC1830



- WRAS approved cable operated Multiflush valve
- Dual flush valve 6/3L adjustable to 4/2L
- Includes chrome dual flush button MFVB6B
- Flexible cable 460mm long overall
- Cistern access front or top
- Includes side entry fill valve
- Includes integral isolating valve
- Includes foam insulation jacket
- Includes flush bend
- For use with bathroom furniture

MULTIFLUSH DUAL FLUSH VALVE



- WRAS approved cable operated Multiflush valve
- Dual flush valve 6/3L adjustable to 4/2L
- Adjustable height internal overflow
- Includes chrome dual flush button MFVB6B
- For use with cisterns

OUTLET SIZE	CABLE LENGTH	
	340MM	800MM
Ø1½"	MFV1C	MFV2C
Ø2"	MFV3C	MFV4C

WC SEATS

- Modern design
- Compact
- Easy to clean
- Variable adjustment
- Hygienic and robust.



WEY WC SEAT

MKKN002

- Four point support
- All standard floor and wall mounted WCs
- Includes Kwiknuts
- Stainless steel hinges – multi directional
- Bevelled back
- Scratch resistant surface
- 100% recyclable
- Moulded thermosetting plastic
- 1.95kg

HAMBLE WC SEAT

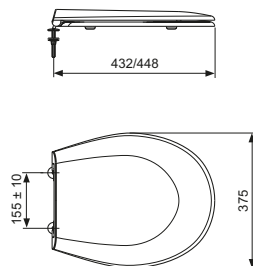
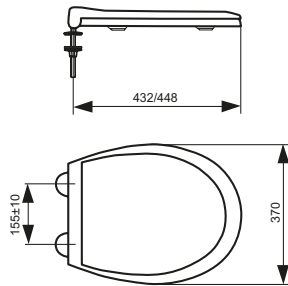
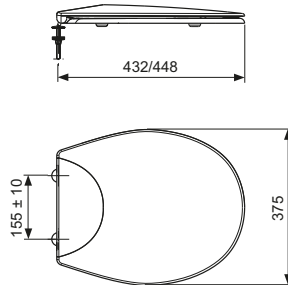
MKKN003

- Four point support
- All standard floor and wall mounted WCs
- Includes Kwiknuts
- Long-life stainless steel hinges
- Bevelled / contoured front
- 10 year guarantee
- Smooth underside for easy cleaning
- 1.85kg
- Injection moulded thermoplastic

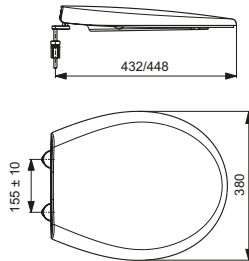
MOORS ANTIBAC WC SEAT

MKKN004

- Four point support
- All standard floor and wall mounted WCs
- Includes Kwiknuts
- Long-life stainless steel hinges – adjustable
- 2.40kg
- Thermosetting plastic
- Scratch resistant surface



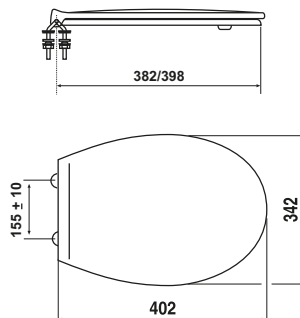
SOFT CLOSE WC SEAT



MKKN007

- Two point support
- All standard floor and wall mounted WC
- Soft close stainless steel hinges
- Thermosetting plastic
- 2.20kg
- Seat integrated in lid
- For WCs with D shaped bowl

EDUCATION WC SEAT



MKKN006 ○ WHITE

MKKN005 ● RAL1023 YELLOW

MKKN008 ● RAL5002 BLUE

MKKN009 ● RAL6032 GREEN

MKKN010 ● RAL3003 RED

- Smooth underside for easy cleaning
- Thermoplastic injection moulding
- Two point support
- Stainless steel hinges – adjustable
- 1.35kg

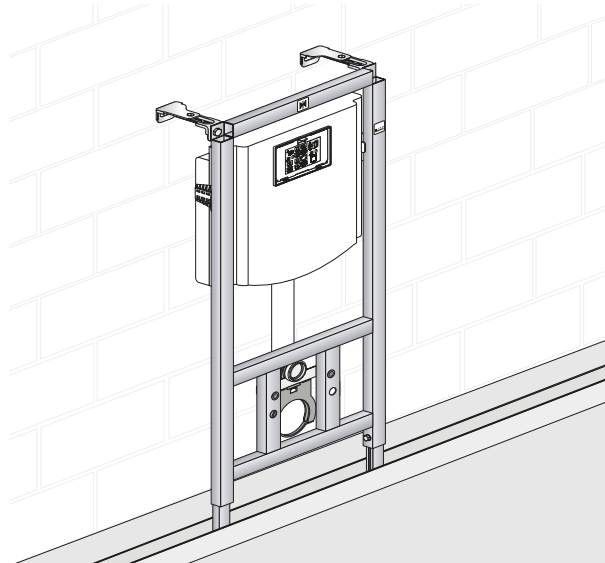
INSTALLATION GUIDE

IN FRONT OF SOLID WALL

Multikwik sanitary frames can be installed in front of a suitable load bearing solid masonry block work wall.

The installation frame is supplied with adjustable feet and wall brackets to allow vertical and horizontal alignment. The frame can also be fixed in to a suitable metal stud floor channel as part of the dry wall frame structure, to create a duct space to conceal the plumbing services pipe work.

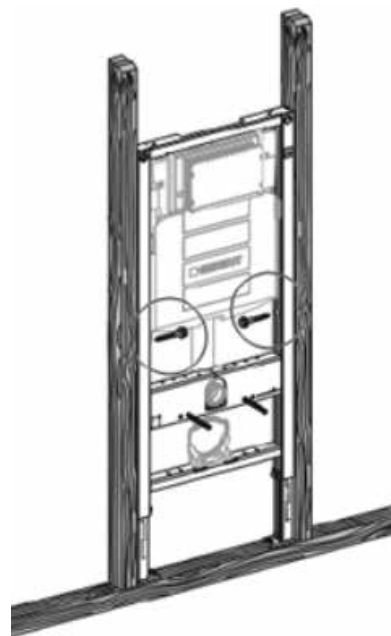
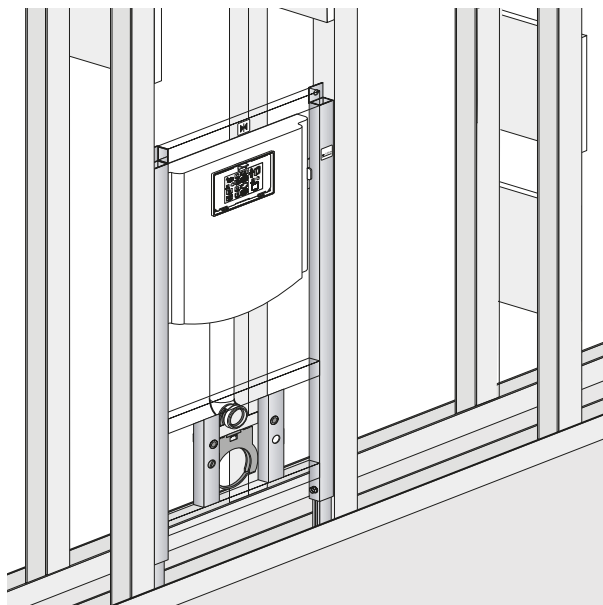
Floor and wall channels can also be used to speed up series installations for a row of WC's, urinals or washbasins.



METAL STUD WALL

Multikwik sanitary frames can be installed in front of a light weight metal stud partition wall or integrated within the metal stud partition framework.

Please consult the system manufacturer for expert advice on the design and construction of a suitable metal stud wall.



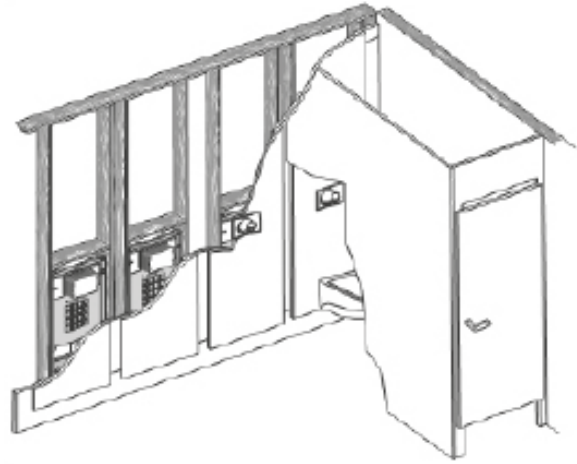
TIMBER STUD WALL

Multikwik sanitary installation frames can also be integrated into traditional timber stud walls. Position vertical timber studs alongside the frame uprights and secure with suitable fixing screws.

Please refer to the appropriate standards for the design and construction of a timber stud wall and suitable cladding material. (i.e. acoustic or moisture resistant plasterboard, etc.)

IPS DUCT PANELS


Sanitary installation frames for wall hung WC's can be installed within the duct framework of a typical WC cubicle. Most cubicle ducts have 3 or 4 access panels with a fixed lower panel and demountable or hinged middle and upper panels for access to the WC cistern and other plumbing services. Care should be taken to ensure the cut-outs and fixing holes for the WC pan and flush plate are accurately positioned on the duct panels. Site installation sequencing and design co-ordination with the different sub-contract trades is required to achieve a quality finish.



CONCEALED CISTERN WITH A FLOOR STANDING BACK-TO-WALL WC PAN


The TRV1820 concealed cistern is the perfect choice for cubicles using a floor standing back-to-wall WC pan. The concealed cistern is compatible with a wide choice of flush plate designs including stainless steel and infrared for public areas. The TRA0021 extendable flush pipe provides a simple method to adjust the vertical position of the flush plate to the correct height in relation to the access panels on the IPS duct.





Marley HDPE

Marley Akatherm HDPE is a drainage system which offers an alternative solution to cast iron. It is particularly suited for commercial applications or where a product with high impact or abrasion resistance is required, such as hospitals, hotels, schools, as well as residential buildings. HDPE will also cope with temperature variations of -40°C to 100°C making it ideal for external as well as internal installations.



Marley dBlue

An acoustic soil and waste range with a triple layered pipe providing quick, hygienic removal of sanitary waste water. The noise generated by the flow of water is dramatically reduced – making it perfect for multi-occupancy apartment blocks and high specification developments.



Marley waste systems

A wide range of PVC-u, ABS and polypropylene waste ranges from 32mm to 50mm and in a variety of colours. Available with polypropylene solvent weld and push fit jointing.



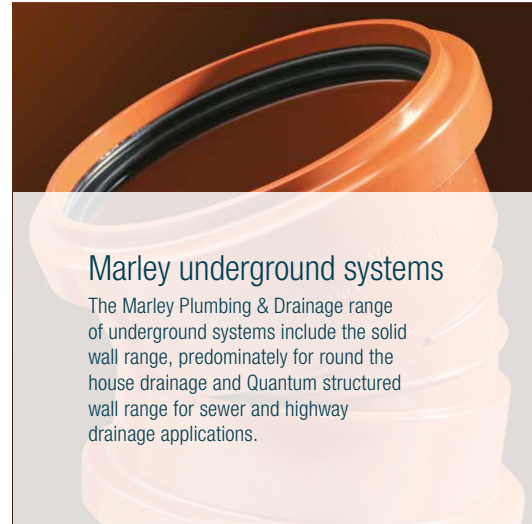
Marley rainwater

Five gutter profiles and three downpipe options provide a rainwater solution for any application. Advanced Life4 technology on four of the key profiles, coupled with the benefits of the Easyclip and notching capability combine to make the Marley rainwater range the most comprehensive available.



Multikwik WC connectors

The Multikwik range of WC connectors has been developed and extended to incorporate invaluable problem solvers, making Multikwik the first choice for the installer, and trusted to be asked for by name.



Marley underground systems

The Marley Plumbing & Drainage range of underground systems include the solid wall range, predominately for round the house drainage and Quantum structured wall range for sewer and highway drainage applications.



Marley Equator

Equator is ideal for hot & cold water or central heating installations. A tamper-proof fitting with a unique grip release mechanism ensuring that the system can only be disassembled through the use of a special de-mounting tool. Equator has been designed to meet the requirements of BS 7291: Parts 1 & 3; Class S. The complete Equator system is backed by a 30 year guarantee.

ALIAxis SYSTEM SOLUTIONS



Alutec

Alutec offer modern and traditional aluminium rainwater profiles, providing solutions for any type of building. Aluminium has high visual appeal and durability, lasting for 50 years or more. The product portfolio includes Evolve; easy to install, low cost gutter systems in four profiles. The rainwater ranges are complemented by aluminium soffit and fascia systems and roof & floor outlets.



Multikwik Traps

The Multikwik brand is known and trusted by plumbers for its sanitary frames, cisterns, traps, compression waste systems and market leading range of pan connectors. Complementing the Marley range it provides an excellent solution to modern bathroom design with a wide choice of product options.



Marley PVCu Soil

Standard PVCu soil systems to BS EN 1329: 2000. Ideal for domestic and commercial applications, including branch connections to other materials. Available in 82mm, 110mm and 160mm, ring seal and solvent weld jointing variants.

In every product we manufacture, we aim to meet **Multikwik's** benchmark standards of:

- **Reliability**
- **Simplicity**
- **Speed of installation**
- **Problem solving features**

Some very simple reasons, why you can

TRUST MULTIKWIK



Sales hotline
01622 852 654

Support hotline
01622 852 798

Email
info@multikwik.com

Twitter
[@multikwik](https://twitter.com/multikwik)



TRUST MULTIKWIK

WWW.MULTIKWIK.COM